

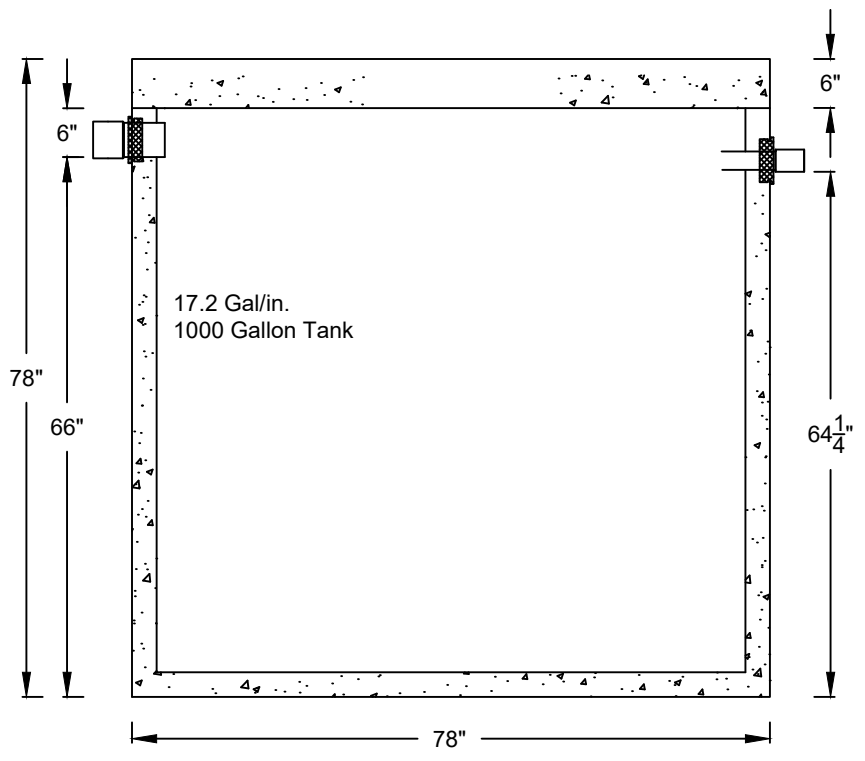
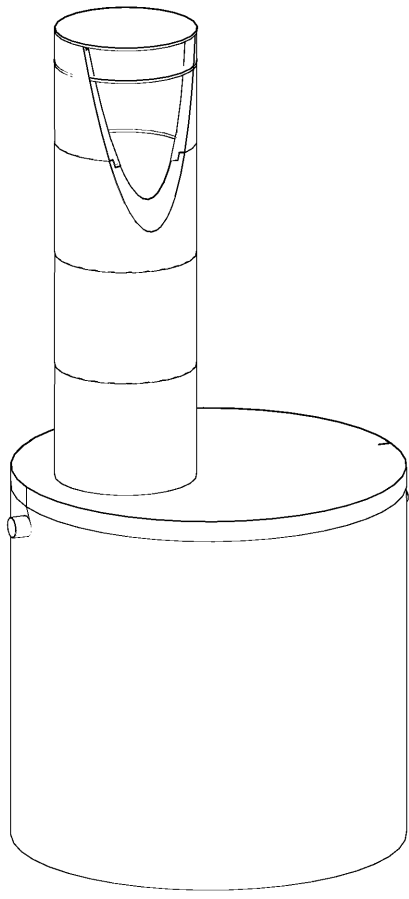
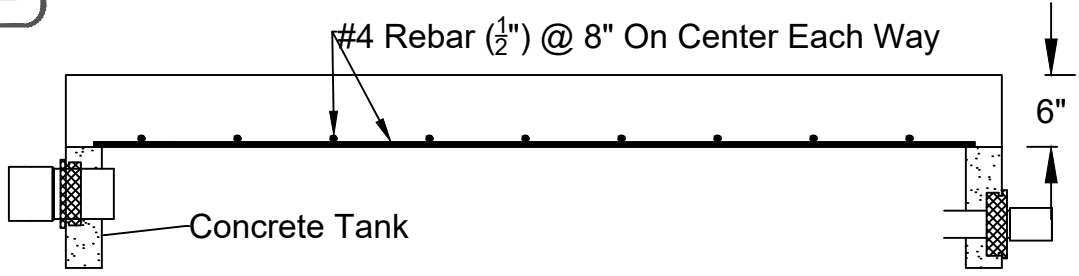


P.O. Box 66  
 Fork Union, VA 23055  
 p (434) 842-1851  
 info@vsi-supply.com  
 www.vsi-supply.com

1000 Gallon  
 Deep Burial Pump Tank  
 1000PTDB



# Deep Burial Concrete Top



### Riser Options

- 24" Dia x 12" Height Tuf-Tite Riser (Plastic)
- 24" Dia x 24" Height Concrete Riser

### Lid Options

- 24" Domed Tuf-Tite Lid (Z4-RISL)
- 22  $\frac{3}{4}$ " Cast Iron Manhole Frame w/ Solid Top

### Structural Notes:

- Major Codes and Standards
- 2021 Virginia Residential Code

### Design Loads

- Dead Loads Up to 8' Of Fill
- Live Loads HS-20 Wheel Load