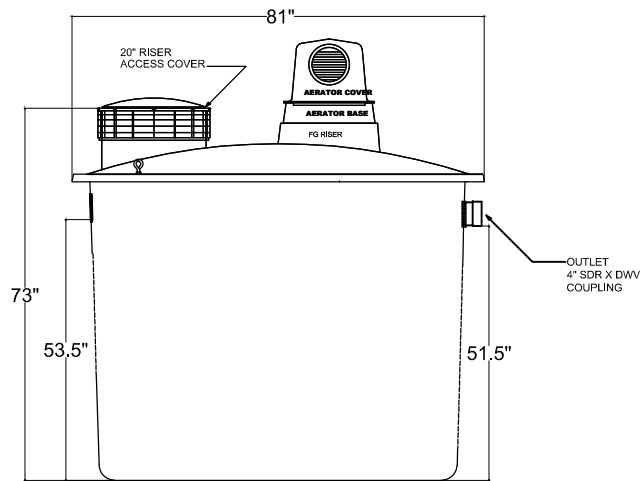


TOP VIEW



ALL DIMENSIONS IN INCHES

DESCRIPTION:				
MODEL AS500L EZtop (Low Profile)				
Treatment Capacity: 500 GPD				
Flow Line Volume 908 GAL.				
DWG REF:	REV: 0	DATE: 06/2012	SCALE: FULL	ENG: JKC
ECOLOGICAL TANKS, INC 2247 HWY 151 NORTH DOWNSVILLE, LA 71234 318-644-0397 OFFICE 318-644-7267 FAX			NO PART OF THIS DRAWING MAY BE REPRODUCED, STORED IN ANY RETRIEVAL SYSTEM, OR TRANSMITTED IN ANY FORM OR BY ANY MEANS, ELECTRONIC, MECHANICAL, PHOTOCOPYING, RECORDING OR OTHERWISE WITHOUT THE PRIOR WRITTEN PERMISSION OF ECOLOGICAL TANKS, INC.	