

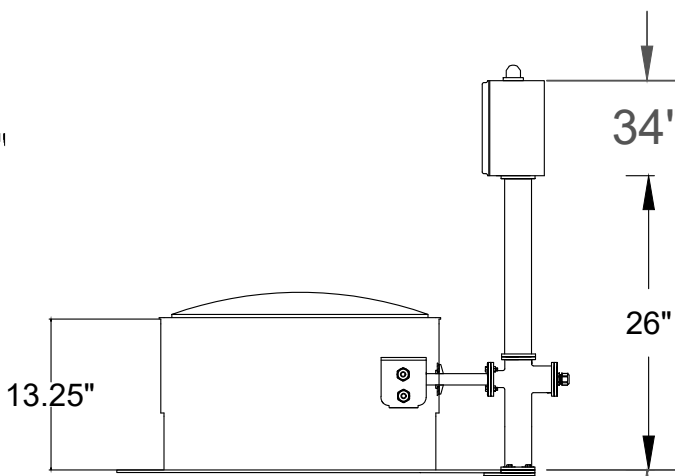
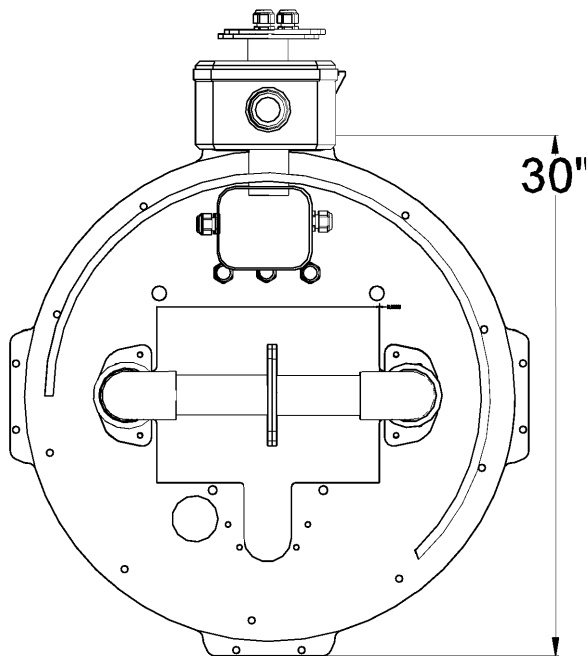


P.O. Box 66  
 Fork Union, VA 23055  
 p (434) 842-1851  
 info@vsi-supply.com  
 www.vsi-supply.com

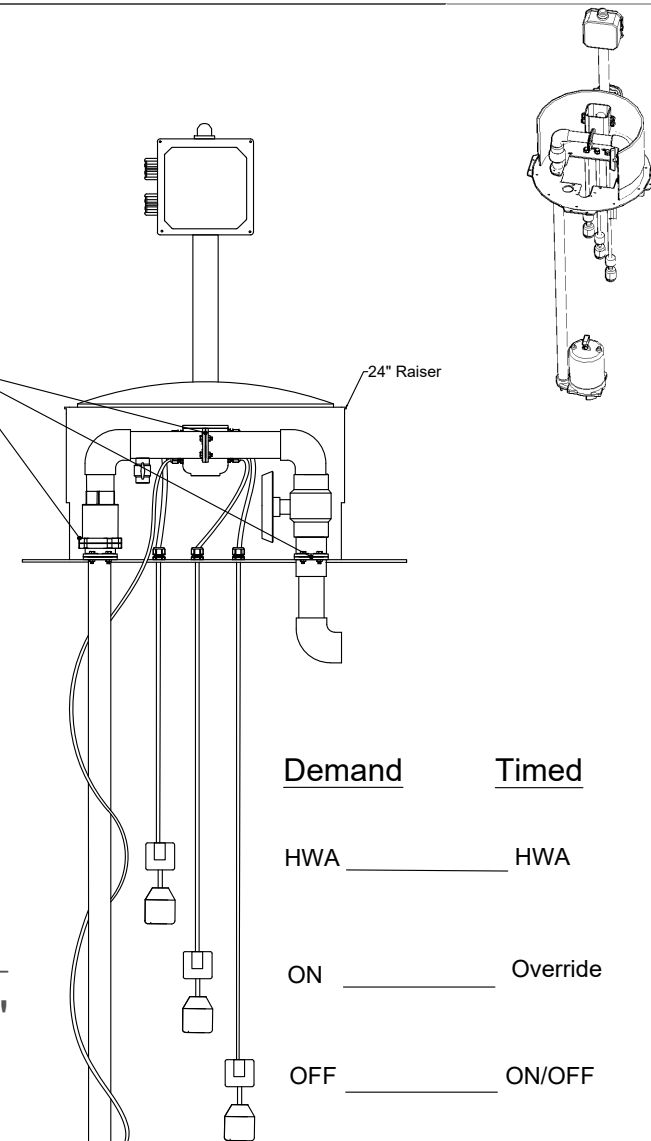
# Pump Drop-in Assembly



	PX Drop-In Options	
Pump	Control Panel	Model
None	None	PX
None	Demand (3 Float)	PX-D
None	Timed (3 Float)	PX-T
Zoeller 1/3 HP 151 (115V)	Demand (3 Float)	PX-Z151-D
Zoeller 1/2 HP M98 (115V)	Demand (3 Float)	PX-Z98-D
Champion Pump .4 HP CPE4 (115V)	Demand (3 Float)	PX-ZCPE4-D
Champion Pump 1/2 HP CPE5 (115V)	Demand (3 Float)	PX-ZCPE5-D
Champion Pump 1/2 HP CPE5 (115V)	Timed (3 Float)	PX-ZCPE5-T
Sta-Rite Dominator 10 (115V)	Manual Headworks (1.5" Spin Filter 150 Mesh 100 Micron) Drip Timed Dose (3 Float)	PX-MANDRIP-10
Sta-Rite Dominator 20 (115V)	Manual Headworks (1.5" Spin Filter 150 Mesh 100 Micron) Drip Timed Dose (3 Float)	PX-MANDRIP-20
Sta-Rite Dominator 10 (115V)	Automatic Headworks (1.5" Spin Filter 150 Mesh 100 Micron) Drip Timed Dose (4 Float)	PX-AUTODRIP-10
Sta-Rite Dominator 20 (115V)	Automatic Headworks (1.5" Spin Filter 150 Mesh 100 Micron) Drip Timed Dose (4 Float)	PX-AUTODRIP-20
Champion Pump 1HP Grinder Pump (115V)	Demand (3 Float)	PX-G1
Champion Pump 2HP Grinder Pump (230V)	Demand (3 Float)	PX-G2



Side View



Side View

