



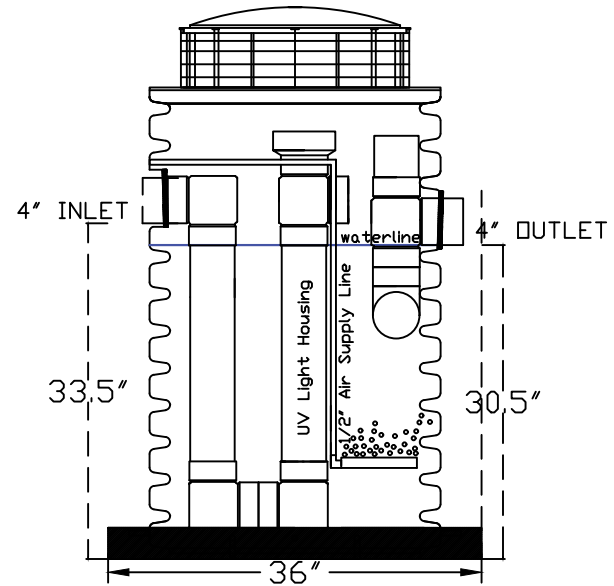
P.O. Box 66
 Fork Union, VA 23055
 p (434) 842-1851
 info@vsi-supply.com
 www.vsi-supply.com

UV Turtle

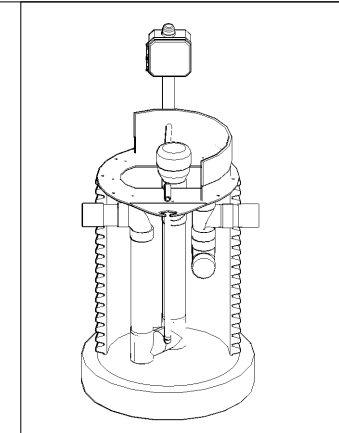


UV Turtle w/ Post Air

Model: TURTLE-UV-75	SCALE: FULL
VSI 98 Creasy Town Road Brems Bluff, VA 23022 (434) 842-1851 OFFICE archie@vsi-supply.com	NO PART OF THIS DRAWING MAY BE REPRODUCED, STORED IN ANY RETRIEVAL SYSTEM, OR TRANSMITTED IN ANY FORM OR BY ANY MEANS, ELECTRONIC, MECHANICAL, PHOTOCOPYING, RECORDING OR OTHERWISE WITHOUT THE PRIOR WRITTEN PERMISSION OF VIRGINIA SOILS, INC.

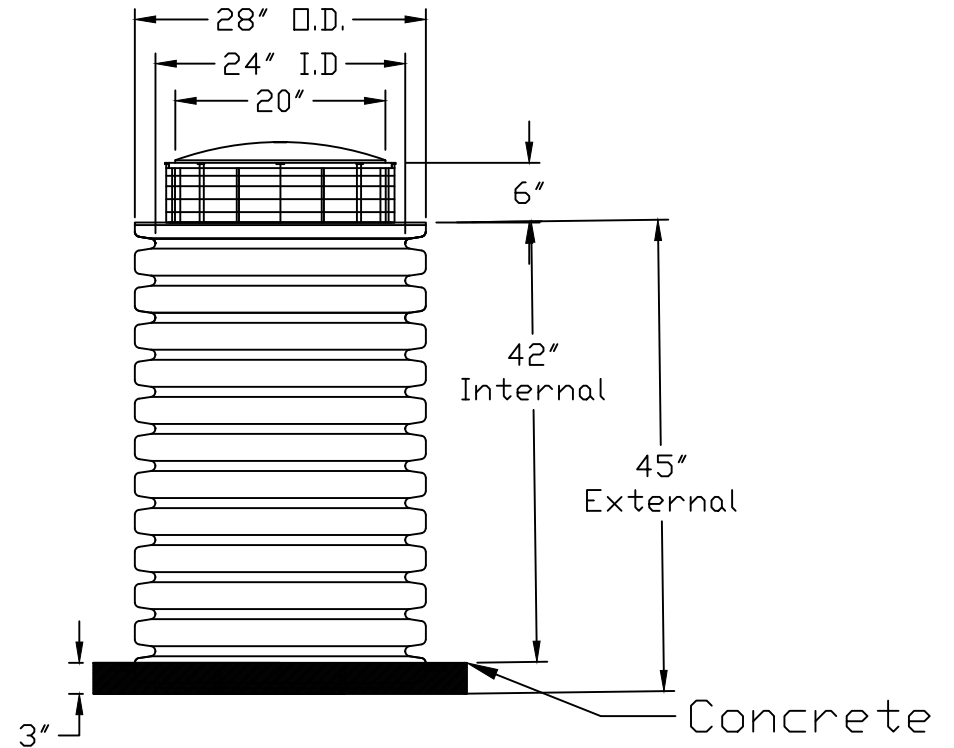
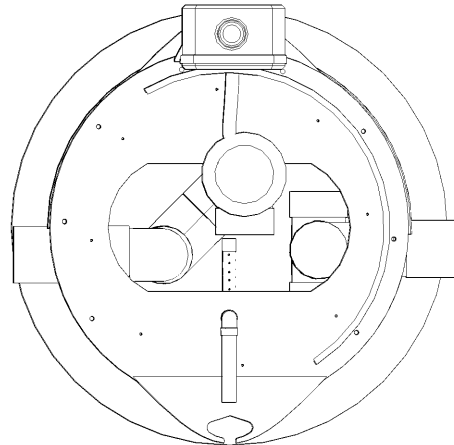


Side View



UV Turtle w/ Post Air Specs

(A) Hiloow HP-80 (1.25 cfm) w/ control panel, balast and housing
(B) Medium Bubble Diffuser
(C) Baffle Tee Deflector Outlet
(D) 75 Gallon Tank
(E) UV "The Disinfector" Ultraviolet Wastewater Treatment Unit
(F) ETI "UV DISINFECTOR" CONTROL PANEL W/ BALLAST & LOW VOLTAGE UV BULB ALARM



Side View